

TRIMAX

WARLORD//S3

**YOUR ALL-PURPOSE
WORKING COMPANION.**



TRIMAX WARLORD//S3

Extremely versatile, the Trimax WARLORD S3 is bound to dominate any environment you put it in - handling long and short grass, prunings up to 75mm in diameter, turf ribbons and offcuts with ease.

Tame rough patches full of scrub and branches in one pass and leave behind a field of evenly distributed mulch and clippings. Control the coarseness of discharge with Warlord's adjustable rear flap while safely dispersing clippings. The Trimax Warlord is tough and durable, requiring minimal maintenance and simplifying repairs to keep your machine running for years. Spend less time and money keeping your mower operating at 100%.

The Trimax Warlord S3 is a medium duty mower/mulcher suitable for a wide range of applications including sod and turf farming, horticulture, passive turf management, contracting/hire, and land reclamation.

**TALK TO US TODAY ABOUT THE
CAPABILITIES OF WARLORD SERIES 3
IN YOUR ENVIRONMENT.**



SPECIFICATIONS	175	205	235
Cutting Width	1.74m (5' 9")	2.04m (6' 8")	2.34m (7' 8")
Overall Width	2.04m (6' 8")	2.34m (7' 8")	2.66m (8' 8")
Overall Length	1.05m (3' 5")	1.05m (3' 5")	1.05m (3' 5")
Overall Height	0.55m (1' 10")	0.55m (1' 10")	0.55m (1' 10")
Cut Height Range	0 - 70mm (0 - 2¾")	0 - 70mm (0 - 2¾")	0 - 70mm (0 - 2¾")
Approx. Weight	690kg (1520lbs)	750kg (1650lbs)	810kg (1780lbs)
No. of Flails	24	28	32
Min PTO Output	40hp	44hp	49hp

**Minimum PTO output is a guide only. Requirement varies with the type of work and the terrain*



We do a lot of roadside work for councils, shires and local government. We use the Warlord where it's too tough for other machines, from my past experience it stands head and shoulders above the rest.

- ALAN CHAPEL | AML Turf, Wodonga QLD

KEY APPLICATIONS.

✓ Horticulture ✓ Municipal & Contractors ✓ Turf ✓ Aviation ✓ Racecourses

WHAT'S NEW ON WARLORD S3

The hydraulic side shift and discharge control capabilities are new from the previous Warlord series, further increasing the versatility of the machine.

★★★
INDUSTRY LEADING WARRANTY

3
YEAR

INCLUDES SPINDLES & GEARBOXES

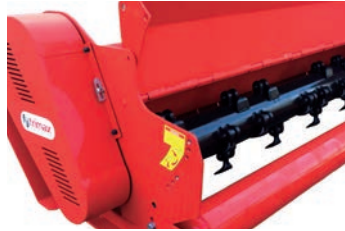
EXPERIENCED SERVICE & SUPPORT NETWORK

PRODUCT FEATURES.



HYDRAULIC SIDE SHIFT

The Warlord can be quickly offset to the right by up to 500mm. Perfect for transport and manoeuvring around obstacles whilst mowing.



DISCHARGE CONTROL

Fine mulch is produced with the flap in the lowest position. Controlling discharge assists with safety in public spaces. Lift flap open for easy flail servicing.



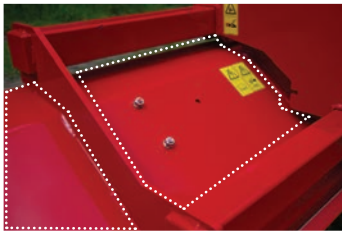
PRUNING GUIDE

Helps direct prunings in and under the mower. Also helps keep debris away from the hydraulic system.

*OPTIONAL FEATURES.

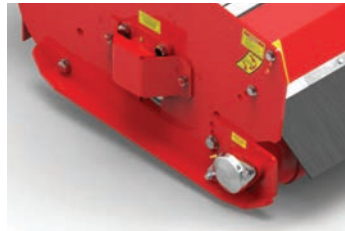
✓ ROLLER SCRAPERS

Cleans rollers and reduces clumping in wet conditions.



REPLACEABLE INTERNAL LINER

A bolt-in 6mm replaceable internal liner increases the life of the body, minimises damage and reduces noise.



REPLACEABLE SKIDS

Skids on Warlord trailing arms prolong mower life in demanding terrain and can be replaced when required.

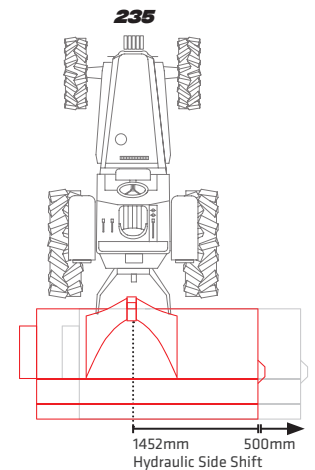
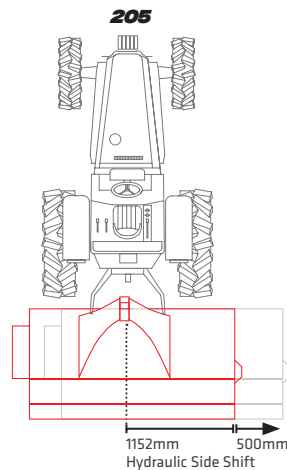
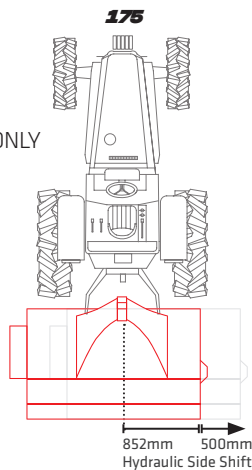


RIGHT HAND OFFSET

Warlord is configured with right-hand offset for increased over-the-shoulder visibility.

WARLORD OFFSET DIAGRAM

HYDRAULIC SIDE SHIFT / RIGHT-HAND SIDE SHIFT ONLY



VIEW MORE PHOTOS, VIDEOS, SPECIFICATIONS, AND MORE ONLINE HERE:



trimax MOWING SYSTEMS // **POWERING PERFORMANCE.**

P +64 7 543 1892 // info@trimaxmowers.co.nz
70 Maleme Street, 3112 Tauranga, NZ

f x i g y in v // **TRIMAXMOWERS.CO.NZ**